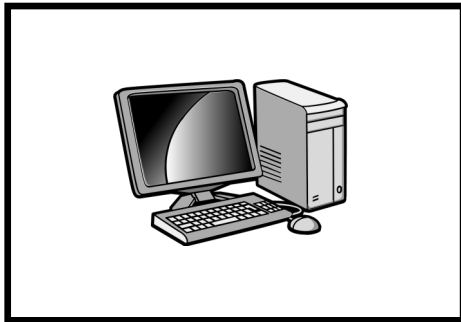
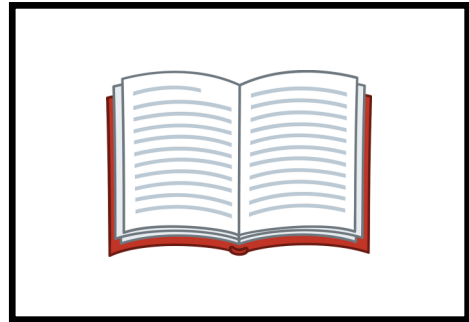


Colouring Book

Book 3: Sitting room

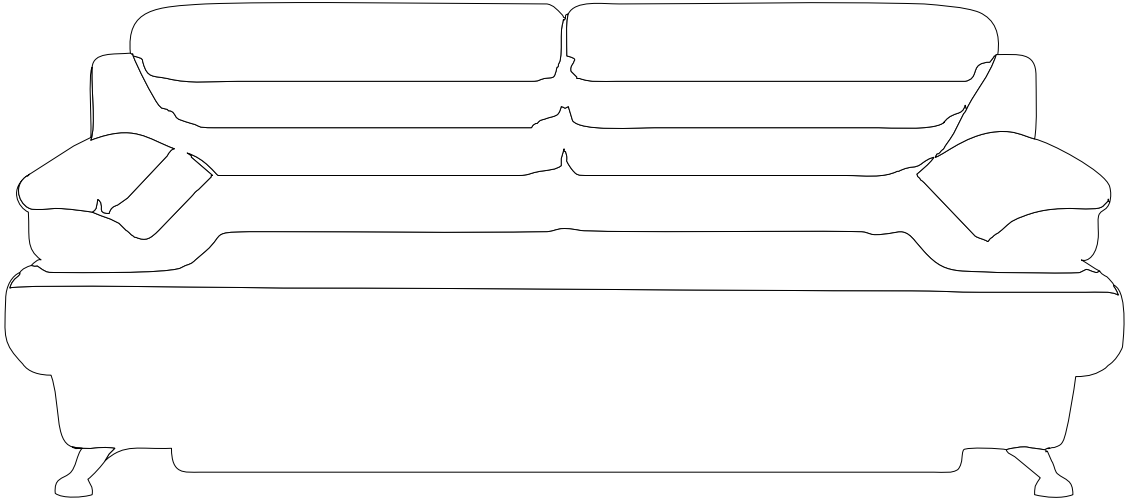


WRITTEN BY

ABOO IBRAAHEEM HAROON BIN SAAJIDUR-RAHMAAN

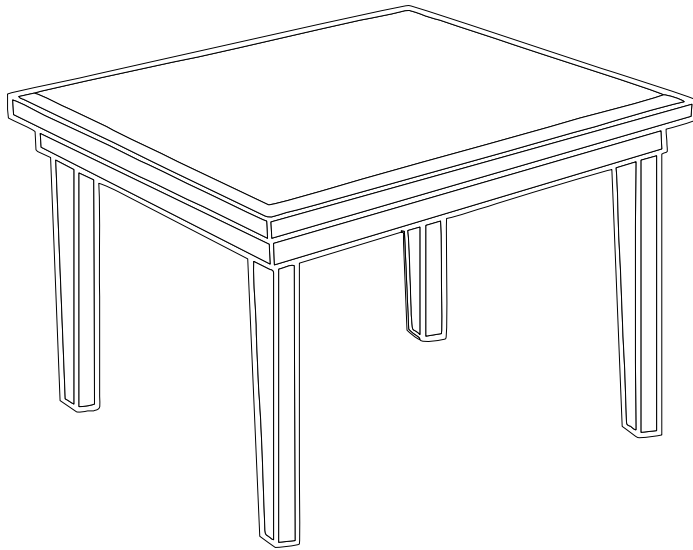
أَبُو إِبرَاهِيمَ هَارُونِ بْنِ سَاجِدِ الرَّحْمَنِ

أَرِيكَةٌ



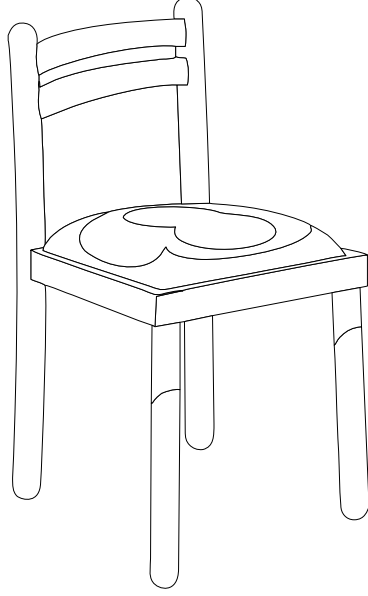
Sofa

طَاوِلَةٌ



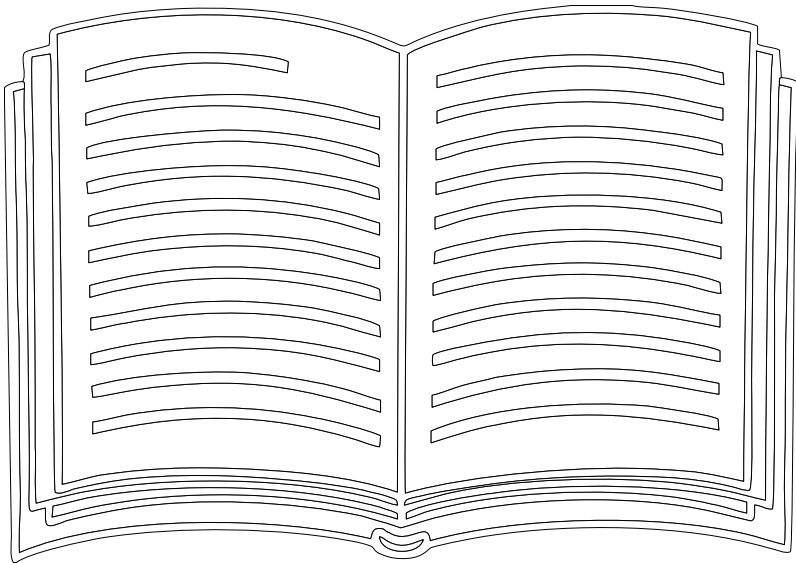
Table

كُرْسِي



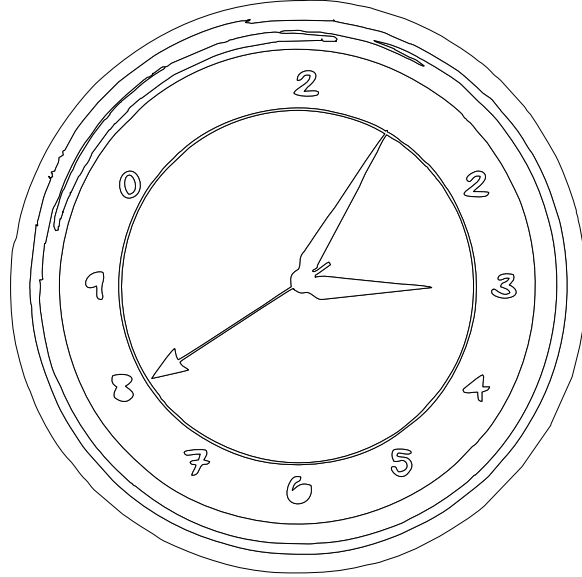
Chair

كِتَاب



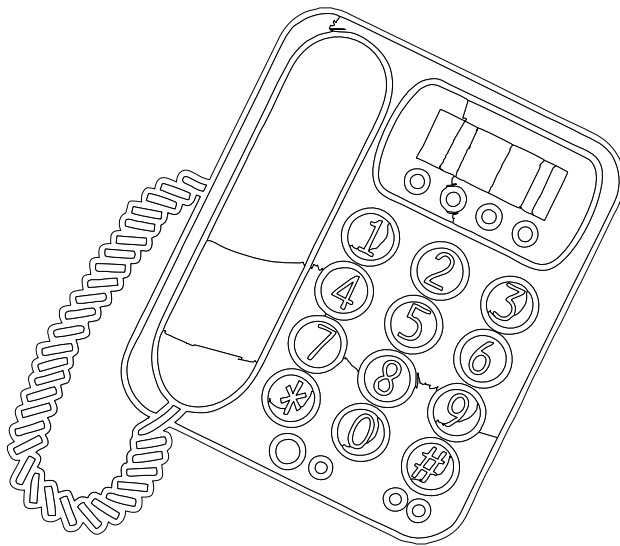
Book

سَاعَةٌ



Clock

هَاتِفٌ



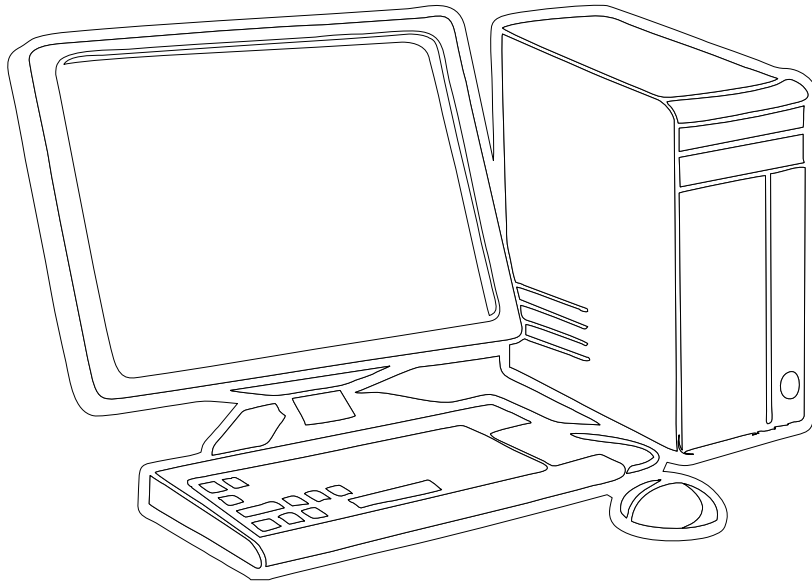
Telephone

مَزْهَرِيَّةٌ



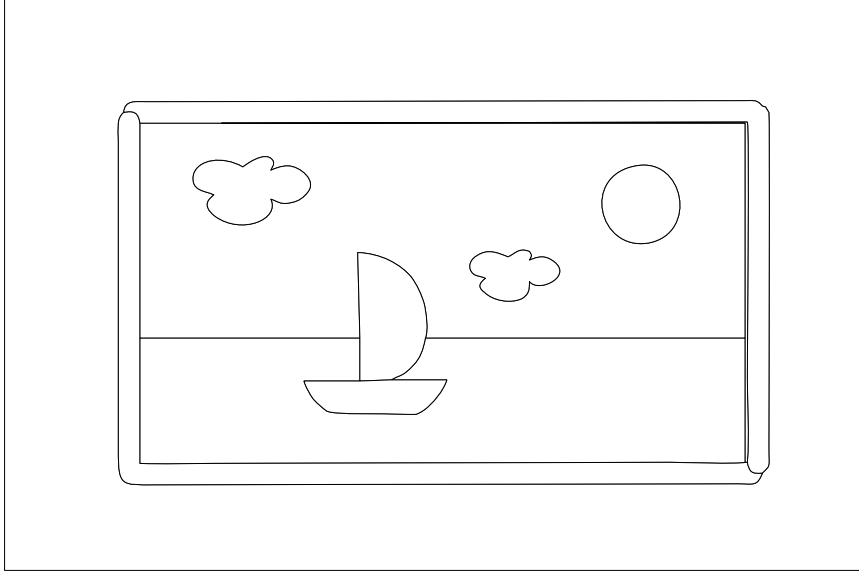
Vase

حَاسُوبٌ



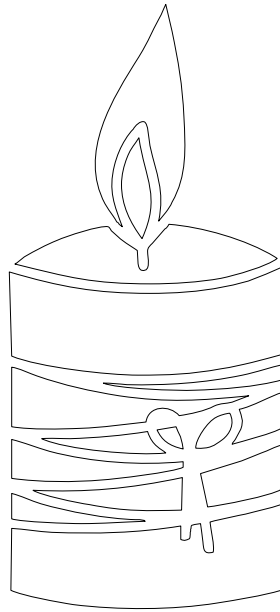
Computer

صُورَةٌ



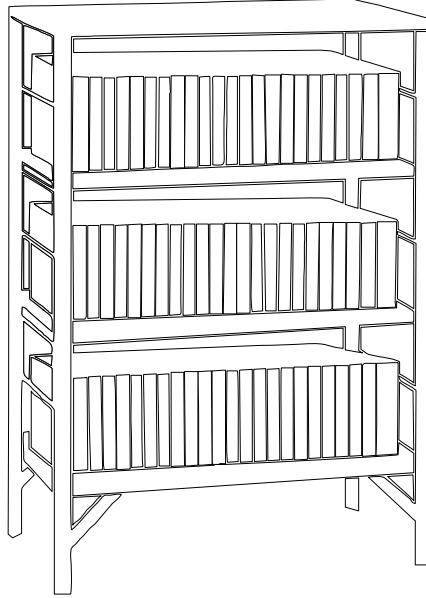
Picture

شَمْعَةٌ



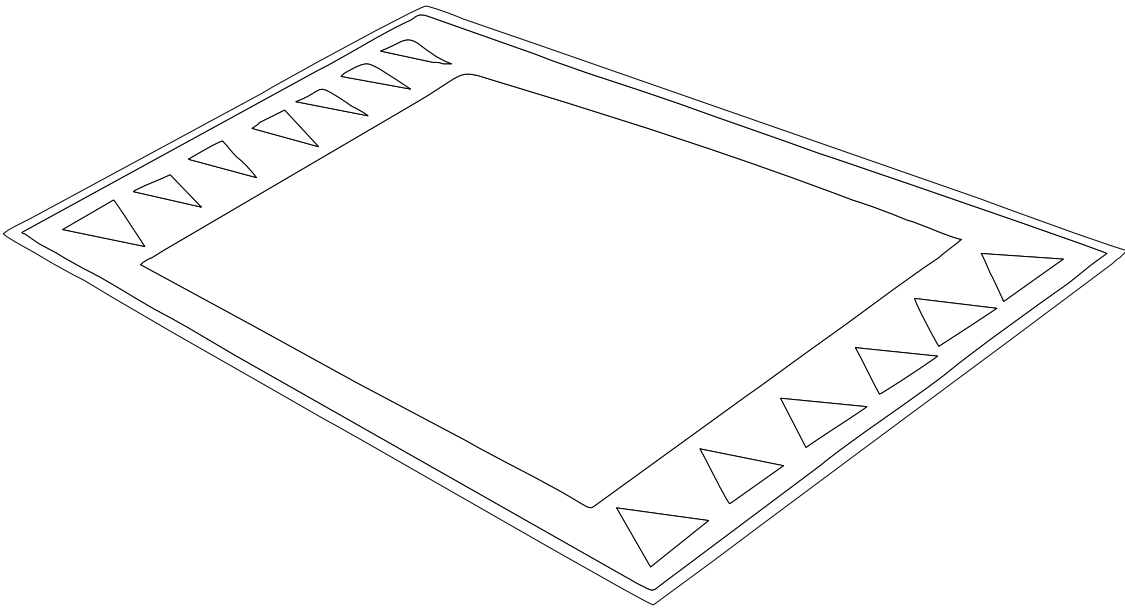
Candle

رَافٍ



Shelf

سَجَّادَةٌ



Rug

Activity:

Write the name of each item in Arabic in the empty boxes.

